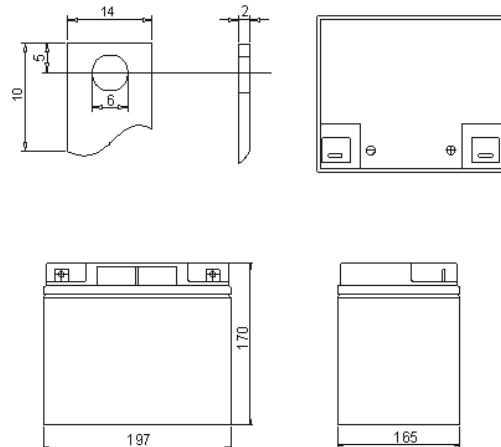




SEALED VRLA AGM BATTERY

PL-40-12 12V40Ah



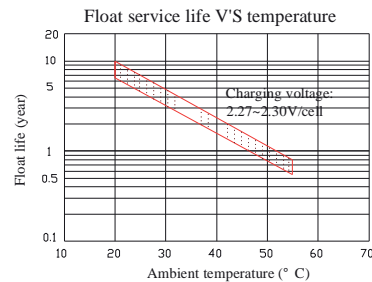
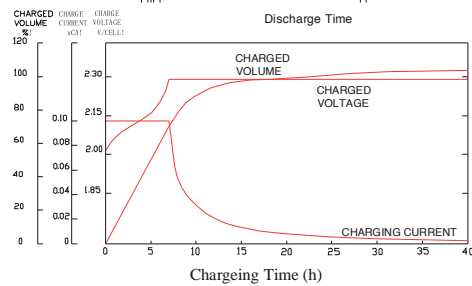
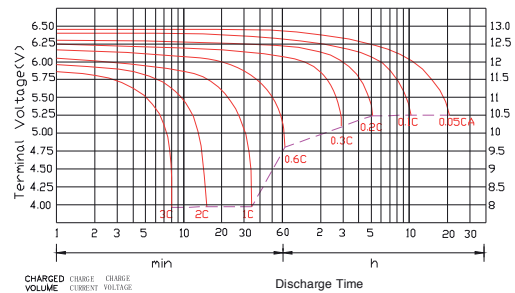
● Specifications

Nominal Voltage		12V
Rated Capacity		40Ah
Dimensions	Total Height	6.69 inches (170mm)
	Height	6.69 inches (170mm)
	Length	7.76 inches (197mm)
	Width	6.50 inches (165mm)
Approximate Weight		27.8 lbs. (12.6kg)

● Characteristic

Capacity 77°F(25°C)	20h rate	42Ah
	10h rate	40Ah
	5h rate	36Ah
	1h rate	25Ah
	15 min rate	15.8Ah
Internal Resistance	Full Charged Battery 77°F(25°C)	Approx. 9.5mΩ
Capacity Affected by Temperature (20h rate)	104°F(40°C)	102%
	77°F(25°C)	100%
	32°F(0°C)	85%
	5°F(-15°C)	65%
Self-Discharge 68°F(20°C) (Capacity after)	3 month storage	90%
	6 month storage	80%
	12 month storage	60%
Max. Discharge Current 77°F(25°C)	400A(5s)	
Terminal	T4 /T11	
Charge (Constant Voltage, 25°C)	Cycle	14.4~14.7V(-24mV/°C) max. current:12A
	Float	13.6~13.8V(-18mV/°C)

DISCHARGE CHARACTERISTICS AT 25° C(77° F)



Constant Current Discharge Characteristics (A, 25°)

F.V/TIME	5min	10min	15min	30min	60min	3h	5h	10h	20h
9.60V	118	78.6	66.0	38.8	26.0	10.4	7.31	4.06	2.10
10.2V	112	74.6	63.3	37.2	25.0	10.2	7.20	4.02	2.10
10.5V	106	70.2	60.2	35.4	23.7	10.0	7.06	4.00	2.05

Constant Wattage Discharge Characteristics (Watt, 25°)

F.V/TIME	5min	10min	15min	30min	60min	3h	5h	10h	20h
9.60V	1243	849	724	435	296	122	86.4	48.5	25.2
10.2V	1180	806	695	418	285	120	85.1	48.0	25.2
10.5V	1110	758	661	397	270	118	83.4	48.0	24.6